

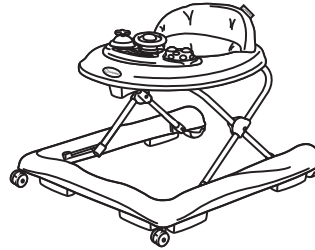


**babidéal**<sup>TM</sup>  
IDEAL DESIGN WITH BABY IN MIND

up to  
37.4-inch  
/ 95-cm

up to  
26-lbs/12-kg

## Rover Baby Walker Instruction Manual BG1518G2



©2017 Dorel Juvenile.  
(800) 544-1108  
Styles and colors may vary.  
Estilos y colores pueden variar.  
Made in TAIWAN Hecho en TAIWAN.  
Made for Dorel China America, Inc.  
c/o Dorel Juvenile Group, Inc.  
Hecho para Dorel China America, Inc.  
c/o Dorel Juvenile Group, Inc.  
2525 State St., Columbus, IN 47201-7494

**! WARNING:** Please read these instructions carefully before use and retain them in a safe place for future reference. Read all instructions before assembly and use of the walker. Keep instructions for future use. The child may be hurt if you do not follow these instructions.

**! WARNING:** Read the instructions carefully before use and keep them for future reference. Failure to follow these warnings and the assembly instructions could result in injury or death.

- **NEVER** leave the child unattended. Always keep child in view while in walker.
- The child will be able to reach further and move rapidly when in the baby walker.
- Prevent access to stairs, steps and uneven surfaces
- Guard all fires, heating and cooking appliances to avoid burns. Keep the child away from hot liquids, ranges, radiators, space heaters, fireplaces, etc.
- Remove hot liquids, electrical cords and other potential hazards from reach.
- Prevent collisions with glass in doors, windows and furniture.

- **DO NOT** use the baby walker if any components are broken or missing.
- This baby walker should be used only for short periods of time (ex. 20min).
- **DO NOT** use until baby can sit up by itself. This baby walker is intended to be used by children who can sit unaided, approximately from 6 months to 36 months. It is not intended for children weighing more than 26lbs.
- **DO NOT** use replacement parts other than those approved by the manufacturer or distributor.
- Use only on flat surfaces free of objects that could cause the walker to tip over.
- **DO NOT** use the walker if it is damaged or broken
- Clean friction components regularly to maintain stopping performance.
- This walker is intended to be assembled by an adult.
- Non-rechargeable batteries are not to be recharged.
- Different types of batteries or new and used batteries are not to be mixed.
- Exhausted batteries are to be removed from the toy.

- The supply terminals are not to be short-circuited.
- Only batteries of the same or equivalent type as recommended are to be used.
- Batteries are to be inserted with the correct polarity.
- Rechargeable batteries are to be removed from the toy before being charged.
- If using rechargeable batteries, the batteries are only to be charged under adult supervision.
- **DO NOT** use this walker when the child can walk unassisted.
- Recommended for indoor use.
- **CAUTION:** keep small parts away from children during assembly.

#### CARE AND MAINTENANCE

- To prolong the life of your walker keep it clean and **DO NOT** leave it in the direct sunlight for extended periods of time.
- Removable and non removable fabric covers, trims and plastic parts may be cleaned using warm water with a household soap or a mild detergent. Allow it to dry fully, preferably away from direct sunlight prior to folding or storing it away.
- **DO NOT** machine wash, tumble or spin dry unless the care labeling on the product permits these methods.
- **DO NOT** dry clean or use bleach.
- In some climates the covers and trims may be affected by mold and mildew. To help prevent this from occurring do not fold or store the product if it is damp or wet. **ALWAYS** store the product in a well ventilated area.
- **ALWAYS** check parts regularly for tightness of screws, nuts and other fasteners – tighten if needed.

- To maintain the safety of your walker seek prompt repairs for bent, torn, worn or broken parts.

#### **WARNING: STAIR HAZARD**

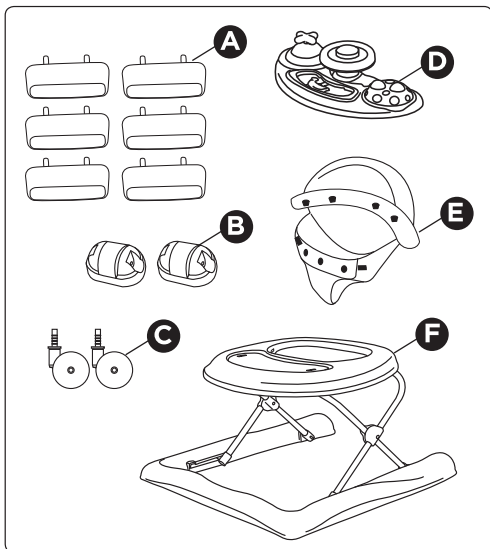
Avoid serious injury or death. Block stairs/steps securely before using the walker even when using the parking brake.

#### **BEFORE ASSEMBLY:**

- With a soft cloth and warm soapy water, wipe down the walker parts.
- Hand wash and dry all toys. **DO NOT** submerge toys in water.
- Remove all contents from packaging and discard box and/or poly bags.
- Lay out and identify all parts.
- **DO NOT** return this product to the place of purchase. If any parts are missing, call Consumer Relations at (800) 544-1108. Have the model number and date code (manufacture date located on the bottom of the tray assembly) ready.

## Parts List

- A** Anti Slip Blocks
- B** Rear wheels
- C** Front wheels
- D** Toy tray
- E** Seat pad
- F** Frame

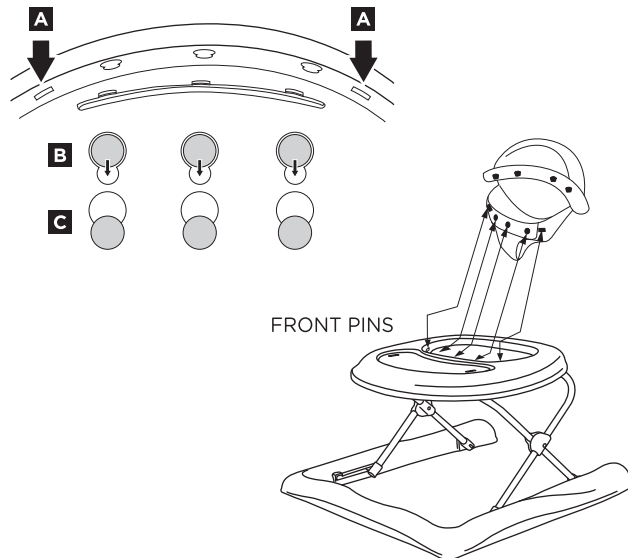


## Assemble The Fabric Seat

Attach Seat Support **E F** :

Attaching seat pad **FRONT** pins to the top tray:

- **A** Insert the right and left pins to the holes first.
- **B** Insert the 3 pins on the front of the seat pad into the receiving hole openings of the top tray front opening.
- **C** Push the front seat pins down until you hear them “click” into a lock position.

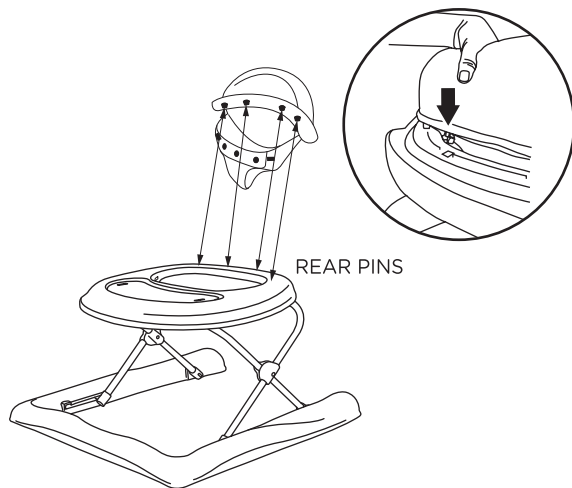


## Assemble The Fabric Seat

Attach Seat Support **E** **F** :

Attaching seat pad REAR pins to the top tray:

- Insert the 4 pins on the back of the seat pad into the receiving hole openings of the top tray back opening.
- Push the back seat pins down until you hear them “click” into a lock position.



## Attach Anti Slip Blocks & Fitting Of Wheels

- Place the walker on a solid flat surface with the bottom facing upwards.

Attach Anti Slip Blocks **A** **F** :

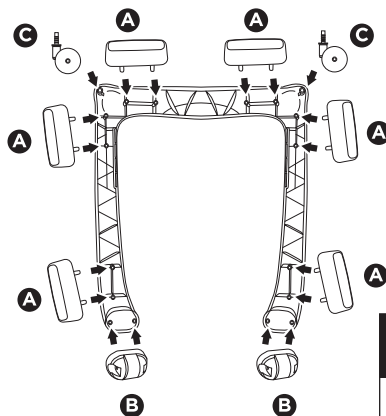
- Insert the anti slip blocks into the receiving holes on the base.
- Push anti slip blocks all the way down until tightly secured to the walker base.
- Pull up on the anti slip blocks to assure they are properly inserted.

Fitting Of Rear wheels **B** **F** :

- Insert the rear wheels into their housings until they click into place.
- Pull upward on wheels to assure they are properly inserted.

Fitting Of Front wheels **C** **F** :

- Insert the pins of the front wheels into their housings until they click into position.
- Pull upward on wheels to assure they are properly inserted.

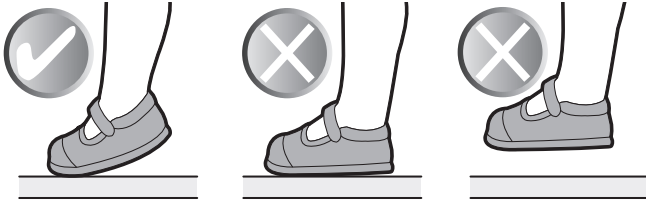


**⚠ WARNING:**

Never use the baby-walker without the wheels.

## To Operate

Proper Height Adjustment: Height can be adjusted to three different positions. Only the ball of each foot should touch the floor.

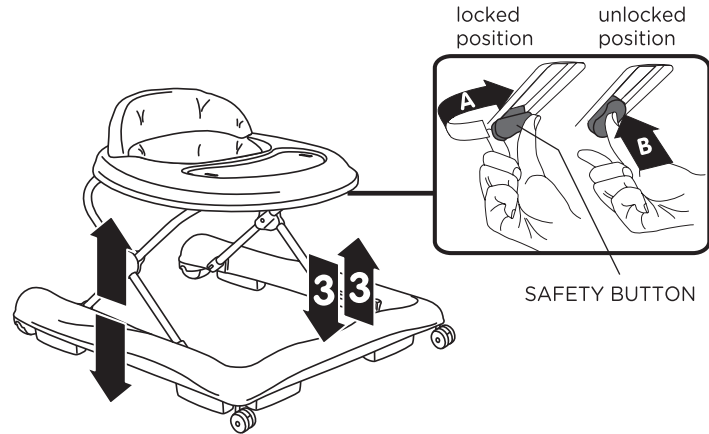


### Adjusting Height:

To adjust the height and fold the walker, locate slider joint beneath the top tray

- Turn the safety button lengthwise **A** and press the button until the mechanism is released. With the button still pressed in, select new height. 3 different height positions are available.
- When the new position has been selected, **B** release the button and check it has turned 90 degrees back to original position.
- When folding the walker, turn to unlock as shown in step push the button to release and hold the button down as shown in step **B**. Carefully lower the walker into complete folded position.

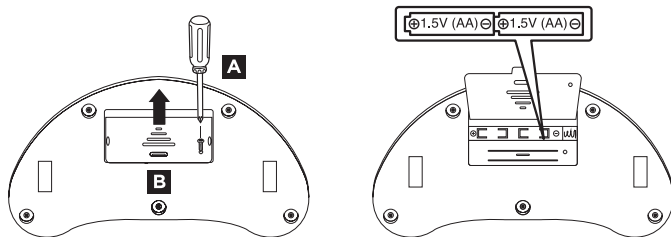
**⚠ WARNING:**  
DO NOT adjust the seat height with the baby in the walker. Remove the baby from the walker when adjusting the seat height.



## Positioning The Toy Tray

### Inserting Battery

- Locate the battery cover on bottom of toy tray.
- Use a Phillips head screw driver to **A** unfasten the battery cover.
- Slide upward to release top **B**
- **B** Lift cover to open battery compartment.
- **C** Insert AA batteries (x2) as shown in the picture.
- **D** Close battery cover. Use a Phillips head screw driver to fasten the battery cover closed.

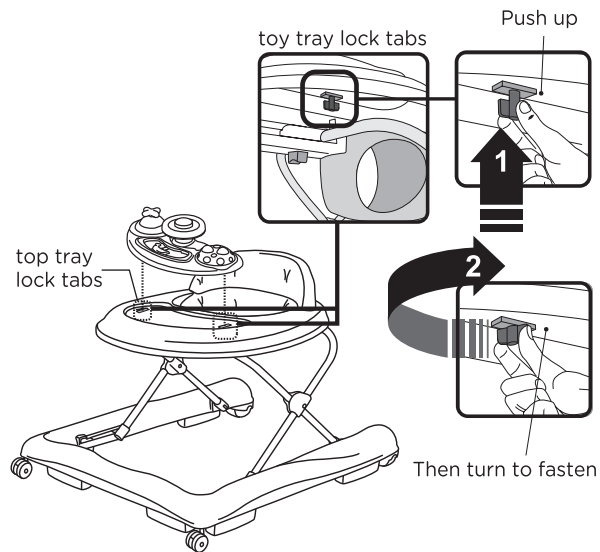


### • Battery not supplied

**CAUTION!** Non-rechargeable batteries are not to be recharged. Rechargeable batteries are to be removed from the toy before being charged. Rechargeable batteries are only to be charged under adult supervision. Different types of batteries or new and used batteries are not to be mixed. Batteries are to be inserted with the correct polarity. Exhausted batteries are to be removed from the toy. The supply terminals are not to be short-circuited.

### Positioning The Toy Tray **D F** :

- On the bottom of the toy tray locate the lock slots and lock tabs on top tray.
- Align toy tray to top tray insert. While holding down the toy tray push up the top tray lock tabs and turn to fasten.



## **One-Year Limited Warranty**

Dorel Juvenile Group, Inc. warrants to the original purchaser that this product (Rover Baby Walker), is free from material and workmanship defects when used under normal conditions for a period of one (1) year from the date of purchase. Should the product contain defects in material or workmanship Dorel Juvenile Group, Inc., will repair or replace the product, at our option, free of charge. Purchaser will be responsible for all costs associated with packaging and shipping the product to Dorel Juvenile Group Consumer Relations Department at the address noted on front page and all other freight or insurance costs associated with the return. Dorel Juvenile Group will bear the cost of shipping the repaired or replaced product to the purchaser. Product should be returned in its original package accompanied by a proof of purchase, either a sales receipt or other proof that the product is within the warranty period. This warranty is void if the owner repairs or modifies the product or the product has been damaged as a result of misuse.

This warranty excludes any liability other than that expressly stated previously, including but not limited to, any incidental or inconsequential damages.

SOME STATES DO NOT ALLOW THE EXCLUSION OR LIMITATION OF INCIDENTAL OR CONSEQUENTIAL DAMAGES, SO THE ABOVE LIMITATION OR EXCLUSION MAY NOT APPLY TO YOU.

THIS WARRANTY GIVES YOU SPECIFIC LEGAL RIGHTS, AND YOU MAY ALSO HAVE OTHER RIGHTS THAT MAY VARY FROM STATE TO STATE.

